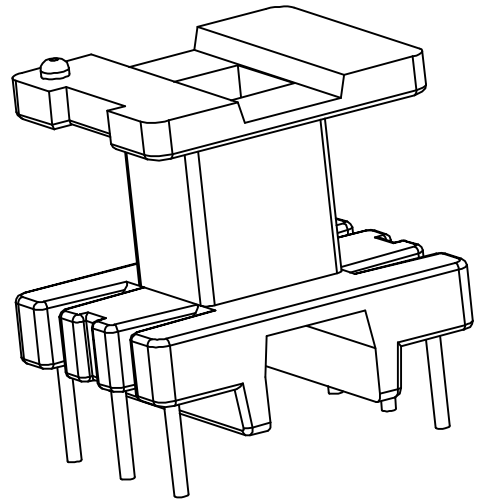
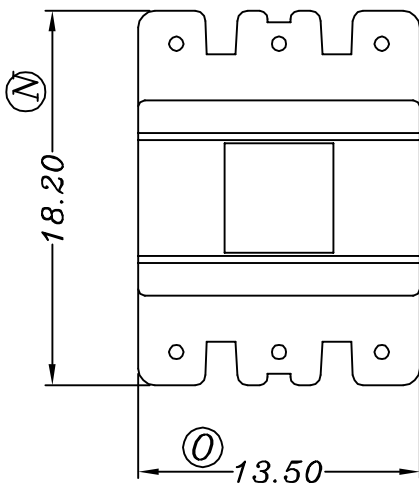
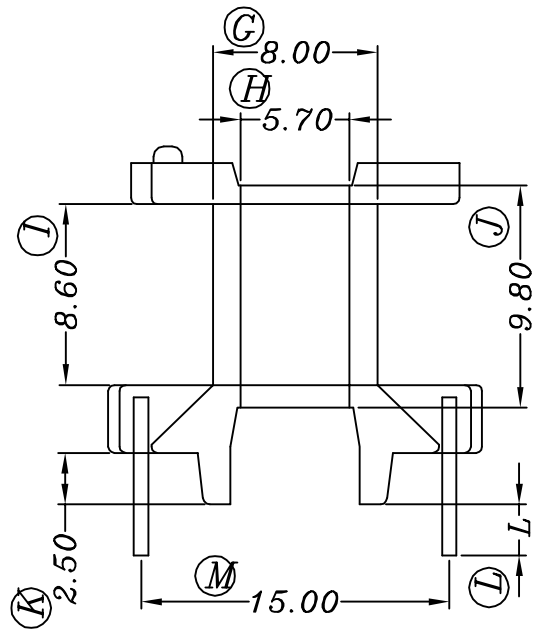
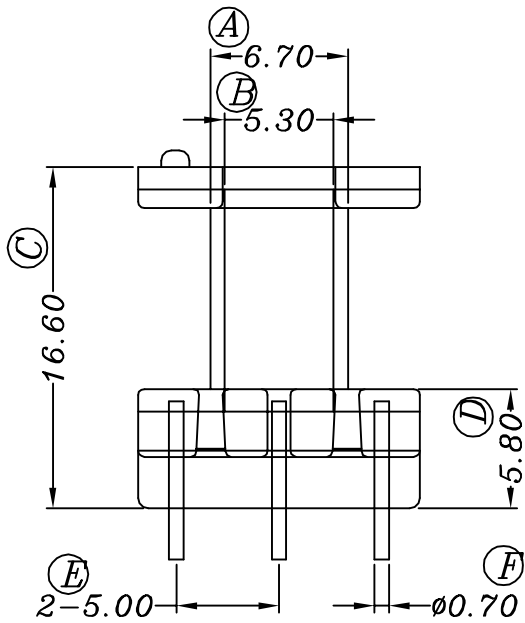


PY-1906



| REV | REVISION RECORD | DATE | REV | REVISION RECORD | DATE |
|-----|-----------------|------|-----|-----------------|------|
| A | | | C | | |
| B | | | D | | |

| | | | | | | | |
|--|--------------|---------------|----------|---|-------|-------|---------------|
| NAME | EI-19 (3+3P) | MATERIAL | PHENOLIC | SCALE | 2.5/1 | ANGLE | $\pm 1^\circ$ |
| DRAWING NO. | PY-1906 | PIN MATERIAL | CP WIRE | UNIT | m/m | REV | A |
| TOLERANCE OF PIN PITCH ± 0.20 | | | | 东莞市品悦塑胶制品有限公司 TEL: 0769-86388745 0769-86388746 FAX: 0769-86388749 E-mail: dgpinyue@163.com | | | |
| PIN TENSION LOAD kg MN | | UL REC: 94V-0 | | | | | |
| TOLERANCE: 0<L≤4: ± 0.2 4<L≤16: ± 0.3 16<L≤63: ± 0.4 | | | | | | | |