

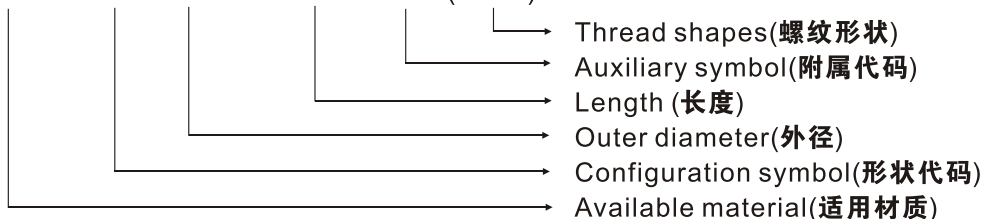
THP 型磁芯 (Threaded Cup Cores)

用途：IFT. 及各种之滤波器(与 DR 型磁芯配对使用)。

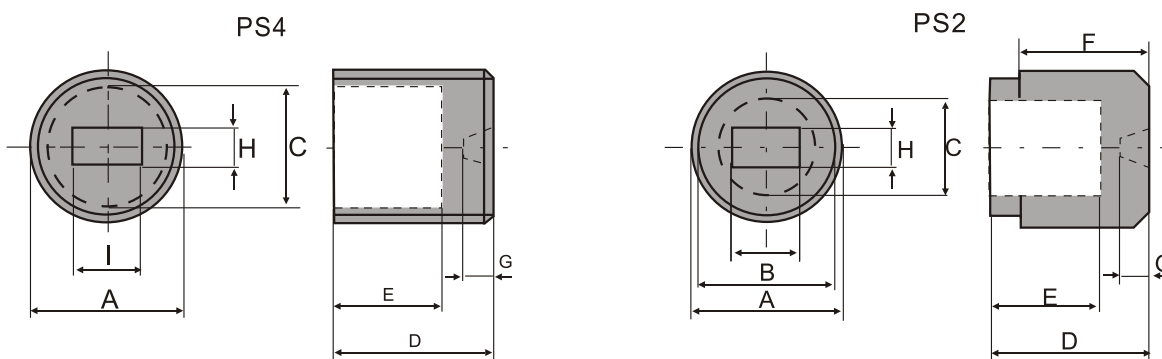
APPLICATIONS: IFT.AND VARIOUS FILTER(PAIR TO DR TYPE CORE WHEN IN USING).

ORDERING CODE:

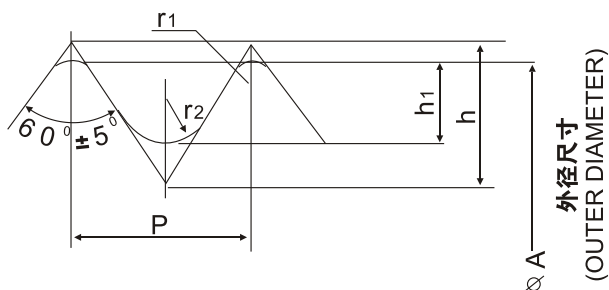
Example: SD2A THP 7.5 x 6.5 PS2(OC4)



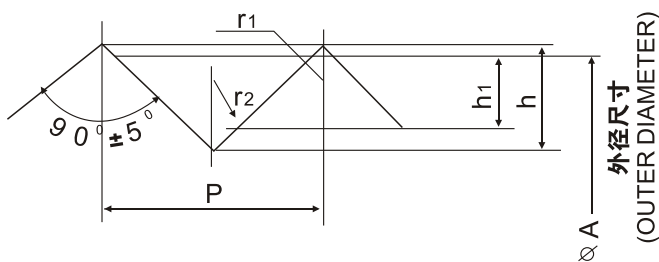
CONFIGURATIONS:



OC3 螺纹形状图
(THREADED, DIAGRAM OF OC3 TYPE)



OC4 螺纹形状图
(THREADED, DIAGRAM OF OC4 TYPE)



THP

DIMENSION SHAPES AND MAIN PRODUCTIONS:

UNIT:mm

THREAD	Pitch P	Depth engagement h1	Degree θ°	Crest radius r1	Root radius r2
OC-3	0.50 ± 0.03	0.23 ^{+0.10} _{-0.05}	60° ⁺ ₋ 5°	0.08	0.22
	0.60 ± 0.03	0.28 ^{+0.10} _{-0.03}	60° ⁺ ₋ 5°	0.08	0.22
	0.75 ± 0.03	0.35 ^{+0.14} _{-0.03}	60° ⁺ ₋ 5°	0.08	0.22
	1.00 ± 0.03	0.47 ^{+0.12} _{-0.03}	60° ⁺ ₋ 5°	0.08	0.22
OC-4	0.5 ± 0.03	0.17 ^{+0.06} _{-0.03}	90° ⁺ ₋ 3° 5	0.05	0.15
	0.6 ± 0.03	0.20 ^{+0.08} _{-0.03}	90° ⁺ ₋ 3° 5	0.05	0.15
	0.8 ± 0.03	0.28 ^{+0.1} _{-0.03}	90° ⁺ ₋ 3° 5	0.09	0.15

DIMENSION OF MAIN PRODUCTIONS:

UNIT:mm

Ordering code	A	B	C	D	F	G	H	P	I
THP5.7 × 5.3PS2	5.7 ^{+0.06} ₋₀	5.4 ^{+0.05} _{-0.3}	4.2 ^{+0.2} _{-0.15}	5.3 ± 0.15	3.0 ^{+0.5} ₋₀	0.8 ± 0.15	1.3 ± 0.15	0.6 ± 0.15	3.6 ± 0.15
THP5.8 × 5.3PS2	5.8 ^{+0.08} ₋₀	5.4 ^{+0.1} _{-0.4}	4.25 ± 0.15	5.3 ± 0.2	3.0 ^{+0.5} ₋₀	0.65 ± 0.15	1.3 ± 0.15	0.6 ± 0.15	3.6 ± 0.15
THP6.5 × 5.7PS2	6.5 ± 0.03	6.0 ^{+0.15} _{-0.1}	5.0 ± 0.15	5.7 ± 0.2	4.3 ± 0.3	0.8 ± 0.15	1.5 ± 0.15	0.7 ± 0.15	3.9 ± 0.15
THP7.5 × 6.5PS2	7.45 ⁺⁰ _{-0.8}	6.8 ^{+0.1} _{-0.3}	5.35 ± 0.2	6.5 ± 0.2	4.3 ± 0.3	0.9 ± 0.2	2.0 ± 0.15	0.8 ± 0.2	4.8 ± 0.2
THP8.75 × 8.5PS2	8.75 ± 0.03	8.0 ^{+0.2} _{-0.3}	6.3 ^{+0.3} ₋₀	8.5 ± 0.2	5.3 ± 0.2	1.0 ± 0.2	2.0 ± 0.15	0.8 ± 0.1	4.8 ± 0.15
THP5.95 × 2.7PS4	5.95 ± 0.03		4.6 ± 0.15	2.7 ± 0.2		1.0 ± 0.15	1.0 ± 0.15	0.6 ± 0.1	3.6 ± 0.15
THP6.49 × 5.7PS4	6.49 ± 0.03		5.28 ± 0.15	5.7 ± 0.2		0.8 ± 0.15	1.5 ± 0.15	0.8 ± 0.15	4.0 ± 0.2
THP7.5 × 6.5PS4	7.45 ⁺⁰ _{-0.08}		5.6 ± 0.2	6.5 ± 0.2		0.9 ± 0.2	2.0 ± 0.15	0.8 ± 0.2	4.8 ± 0.2
THP8.75 × 8.5PS4	8.47 ± 0.03		6.5 ^{+0.3} ₋₀	8.5 ± 0.2		1.0 ± 0.2	2.0 ± 0.15	1.0 ± 0.2	5.0 ± 0.2