

SMT Shielded Power Inductors

GSRH124BA / GSRH125BA / GSRH127BA

GSRH129BA

Features (特長)

- Magnetically shielded construction (閉磁路構造設計)
- Compact and thin (輕便薄小)
- Large Current and Low DCR (大電流低直流阻抗)

Applications (用途)

- VTR, OA equipment, LCD television set, Notebook, portable communication equipments, DC/DC converters, etc.. (錄放影機、OA 儀器、液晶電視、筆記型電腦、小型通信機器、直流轉換器等)



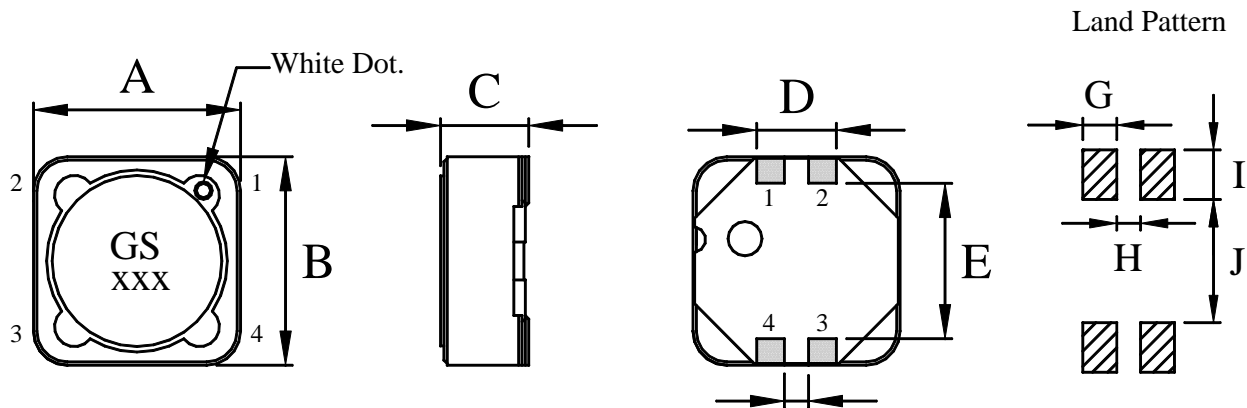
Product Identification (產品識別)

GSRH124BA - ____ ____ (Ex. GSRH124BA-101N)

1 2 3

1. SMT Shielded Power Inductors (閉磁式功率電感)
(GSRH124BA, GSRH125BA, GSRH127BA, GSRH129BA)
2. Inductance (電感值)
3. Tolerance (誤差值) (參照表 K 10%, L 15%, M 20%, N 30%)

Configurations & Dimensions (結構圖及規格尺寸)



Unit In mm

Type (型式)	A	B	C (max)	D	E	F	G	H	I	J
GSRH124BA	±0.3	±0.3		±0.2	±0.2	±0.2				
GSRH125BA	12.2	12.2	4.7	5.0	7.6	1.6	2.0	1.4	2.9	7.2
GSRH127BA	12.2	12.2	6.2	5.0	7.6	1.6	2.0	1.4	2.9	7.2
GSRH129BA	12.2	12.2	8.0	5.0	7.6	1.6	2.0	1.4	2.9	7.2
GSRH129BA	12.2	12.2	10.0	5.0	7.6	1.6	2.0	1.4	2.9	7.2

✦ Design as Customer's Requested Specifications. (可依客戶特殊需求設計)