

SMT Shielded Power Inductors

GSRH3D11A / GSRH3D14ALD / GSRH3D14AHP GSRH3D16A GSRH3D28A / GSRH3D28ALD

Features (特長)

- Magnetically shielded construction (閉磁路構造設計)
- Compact and thin (輕便薄小)
- Large Current and Low DCR (大電流低直流阻抗)

Applications (用途)

- DC-DC converter of portable equipment. (攜帶機器之直流轉換器)
- Camcorder, LCD television set, Digital camera, P.D.A., Notebook. (攝影機、液晶電視、數位相機、P.D.A.、筆記型電腦)

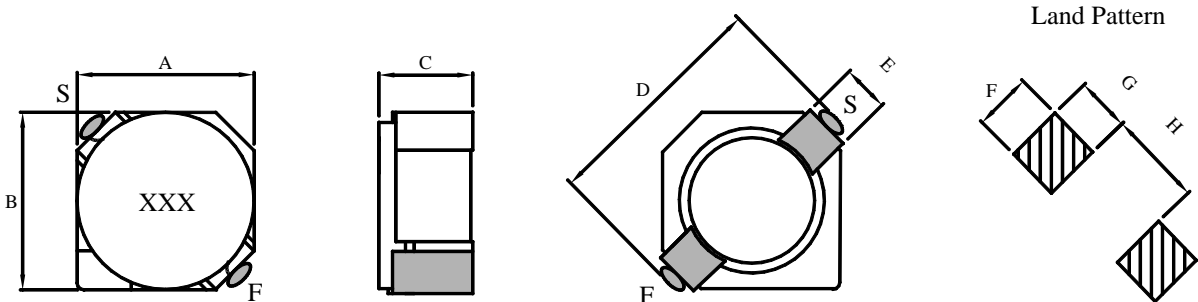


Product Identification (產品識別)

GSRH3D11A - _____ (Ex. GSRH3D11A-2R7N)

1 2 3

1. SMT Shielded Power Inductors (閉磁式功率電感)
(GSRH3D11A, GSRH3D14ALD, GSRH3D14AHP, GSRH3D16A, GSRH3D28A, GSRH3D28ALD)
2. Inductance (電感值)
3. Tolerance (誤差值) (參照表 K 10%, L 15%, M 20%, N 30%)



Unit In mm

Type (型式)	A (max)	B (max)	C (max)	D (max)	E (Ref.)	F	G	H
GSRH3D11A	4.0	4.0	1.2	5.2	1.0	1.3	1.4	2.4
GSRH3D14ALD/AHP	4.0	4.0	1.5	5.2	1.0	1.3	1.4	2.4
GSRH3D16A	4.0	4.0	1.8	5.2	1.0	1.3	1.4	2.4
GSRH3D28A/ALD	4.0	4.0	3.0	5.2	1.0	1.3	1.4	2.4

✦ Design as Customer's Requested Specifications. (可依客戶特殊需求設計)

SMT Shielded Power Inductors

GSRH3D11A

Electrical Characteristics for GSRH3D11A Series [GSRH3D11A 系列電子特性規格]

Part Number 產品料號	Marking 捺印	Inductance (μ H) 電感值(L)	Test Freq. (KHz) 測試頻率	DCR (Ω) (max) 直流阻抗	Isat (A) (max) 定格電流	Irms (A) (max) 溫昇電流
GSRH3D11A - 2R7N	U	2.70	100	0.078	0.53	1.82
GSRH3D11A - 4R7N	E	4.70	100	0.123	0.40	1.38
GSRH3D11A - 6R8N	F	6.80	100	0.180	0.34	1.05
GSRH3D11A - 8R2N	V	8.20	100	0.204	0.32	0.95
GSRH3D11A - 100M	G	10.00	100	0.240	0.28	0.90
GSRH3D11A - 120M	H	12.00	100	0.276	0.25	0.81
GSRH3D11A - 150M	I	15.00	100	0.372	0.23	0.68
GSRH3D11A - 180M	J	18.00	100	0.468	0.21	0.58
GSRH3D11A - 220M	K	22.00	100	0.540	0.19	0.53
GSRH3D11A - 270M	L	27.00	100	0.726	0.17	0.48
GSRH3D11A - 330M	M	33.00	100	0.822	0.15	0.41
GSRH3D11A - 390M	N	39.00	100	0.942	0.14	0.40

※Test Freq. : 100KHz / 0.1V.

※Operating Temp. : -40°C ~ $+85^{\circ}\text{C}$

※Inductance drop = 35% typ. at Isat.

※ $\Delta T=40^{\circ}\text{C}$ rise at Irms.

SMT Shielded Power Inductors

GSRH3D14ALD

Electrical Characteristics for GSRH3D14ALD Series [GSRH3D14ALD 系列電子特性規格]

Part Number 產品料號	Marking 捺印	Inductance (μ H) 電感值 (L)	Test Freq. (KHz) 測試頻率	DCR (Ω) (max) 直流阻抗	Isat (A) (max) 定格電流	Irms (A) (max) 溫昇電流
GSRH3D14ALD - 1R2N	LA	1.20	100	0.038	1.500	2.70
GSRH3D14ALD - 1R5N	LB	1.50	100	0.048	1.350	2.40
GSRH3D14ALD - 2R2N	LC	2.20	100	0.055	1.150	2.20
GSRH3D14ALD - 2R7N	LD	2.70	100	0.068	1.050	1.90
GSRH3D14ALD - 3R3N	LE	3.30	100	0.077	0.950	1.60
GSRH3D14ALD - 3R9N	LF	3.90	100	0.096	0.800	1.50
GSRH3D14ALD - 4R7N	LG	4.70	100	0.105	0.750	1.45
GSRH3D14ALD - 5R6N	LH	5.60	100	0.159	0.700	1.10
GSRH3D14ALD - 6R8N	LI	6.80	100	0.173	0.600	1.05
GSRH3D14ALD - 8R2N	LJ	8.20	100	0.175	0.520	1.00
GSRH3D14ALD - 100M	LK	10.00	100	0.220	0.500	1.00
GSRH3D14ALD - 120M	LL	12.00	100	0.270	0.450	0.80
GSRH3D14ALD - 150M	LM	15.00	100	0.302	0.400	0.75
GSRH3D14ALD - 220M	LO	22.00	100	0.447	0.350	0.60
GSRH3D14ALD - 330M	LQ	33.00	100	0.848	0.300	0.40
GSRH3D14ALD - 470M	LS	47.00	100	1.080	0.250	0.35

※Test Freq. : 100KHz / 0.1V.

※Operating Temp. : -40°C ~ $+85^{\circ}\text{C}$

※Inductance drop = 35% typ. at Isat.

※ $\Delta T=40^{\circ}\text{C}$ rise at Irms.

SMT Shielded Power Inductors GSRH3D14AHP

Electrical Characteristics for GSRH3D14AHP Series [GSRH3D14AHP 系列電子特性規格]

Part Number 產品料號	Marking 捺印	Inductance (μ H) 電感值 (L)	Test Freq. (KHz) 測試頻率	DCR (Ω) (max) 直流阻抗	Isat (A) (max) 定格電流	Irms (A) (max) 溫昇電流
GSRH3D14AHP - 1R5N	HB	1.5	100	0.076	2.60	1.85
GSRH3D14AHP - 2R4N	HC	2.4	100	0.129	2.00	1.32
GSRH3D14AHP - 3R2N	HE	3.2	100	0.139	1.80	1.25
GSRH3D14AHP - 4R7N	HG	4.7	100	0.214	1.45	1.04
GSRH3D14AHP - 6R8N	HH	6.8	100	0.290	1.20	0.84
GSRH3D14AHP - 100M	HJ	10.0	100	0.440	1.00	0.67
GSRH3D14AHP - 150M	HL	15.0	100	0.650	0.80	0.50
GSRH3D14AHP - 220M	HN	22.0	100	0.830	0.65	0.48

- ※Test Freq. : 100KHz / 0.1V.
- ※Operating Temp. : $-40^{\circ}\text{C} \sim +85^{\circ}\text{C}$
- ※Inductance drop = 35% typ. at Isat.
- ※ $\Delta T=40^{\circ}\text{C}$ rise at Irms.

GSRH3D16A

Electrical Characteristics for GSRH3D16A Series [GSRH3D16A 系列電子特性規格]

Part Number 產品料號	Marking 捺印	Inductance (μ H) 電感值 (L)	Test Freq. (KHz) 測試頻率	DCR (Ω) (max) 直流阻抗	IDC (A) (max) 定格電流
GSRH3D16A - 1R5N	1R5	1.50	100	0.052	1.55
GSRH3D16A - 2R2N	2R2	2.20	100	0.072	1.20
GSRH3D16A - 3R3N	3R3	3.30	100	0.085	1.10
GSRH3D16A - 4R7N	4R7	4.70	100	0.105	0.90
GSRH3D16A - 6R8N	6R8	6.80	100	0.170	0.73
GSRH3D16A - 100N	100	10.00	100	0.210	0.55
GSRH3D16A - 150N	150	15.00	100	0.295	0.45
GSRH3D16A - 220N	220	22.00	100	0.430	0.40
GSRH3D16A - 330N	330	33.00	100	0.675	0.32

- ※Test Freq. : 100KHz / 0.1V.
- ※Operating Temp. : $-40^{\circ}\text{C} \sim +85^{\circ}\text{C}$
- ※Inductance drop = 35% typ. at IDC.

SMT Shielded Power Inductors

GSRH3D28A

Electrical Characteristics for GSRH3D28A Series [GSRH3D28A 系列電子特性規格]

Part Number 產品料號	Marking 捺印	Inductance (μ H) 電感值(L)	Test Freq. (KHz) 測試頻率	DCR (Ω) (max) 直流阻抗	Isat (A) (max) 定格電流	Irms (A) (max) 溫昇電流
GSRH3D28A - 3R3N	D	3.30	100	0.0721	2.00	1.85
GSRH3D28A - 4R7N	E	4.70	100	0.0883	1.65	1.62
GSRH3D28A - 6R8N	F	6.80	100	0.1190	1.24	1.32
GSRH3D28A - 100M	G	10.00	100	0.1450	1.05	1.18
GSRH3D28A - 150M	I	15.00	100	0.2130	0.90	1.02
GSRH3D28A - 220M	K	22.00	100	0.3350	0.76	0.74
GSRH3D28A - 330M	M	33.00	100	0.4810	0.58	0.63
GSRH3D28A - 470M	O	47.00	100	0.5990	0.48	0.56

※Test Freq. : 100KHz / 0.1V.

※Operating Temp. : $-40^{\circ}\text{C} \sim +85^{\circ}\text{C}$

※Inductance drop = 35% typ. at Isat.

※ $\Delta T=40^{\circ}\text{C}$ rise at I_{rms}.

SMT Shielded Power Inductors

GSRH3D28ALD

Electrical Characteristics for GSRH3D28ALD Series [GSRH3D28ALD 系列電子特性規格]

Part Number 產品料號	Marking 捺印	Inductance (μ H) 電感值 (L)	Test Freq. (KHz) 測試頻率	DCR (Ω) (max) 直流阻抗	Isat (A) (max) 定格電流	Irms (A) (max) 溫昇電流
GSRH3D28ALD - 100M	LG	10.00	100	0.095	0.50	1.52
GSRH3D28ALD - 120M	LH	12.00	100	0.100	0.45	1.48
GSRH3D28ALD - 150M	LI	15.00	100	0.115	0.40	1.44
GSRH3D28ALD - 180M	LJ	18.00	100	0.125	0.35	1.37
GSRH3D28ALD - 220M	LK	22.00	100	0.145	0.33	1.28
GSRH3D28ALD - 270M	LL	27.00	100	0.175	0.29	1.18
GSRH3D28ALD - 330M	LM	33.00	100	0.215	0.28	1.15
GSRH3D28ALD - 390M	LN	39.00	100	0.225	0.25	1.00
GSRH3D28ALD - 470M	LO	47.00	100	0.305	0.23	0.81
GSRH3D28ALD - 560M	LP	56.00	100	0.325	0.20	0.76
GSRH3D28ALD - 680M	LQ	68.00	100	0.470	0.185	0.60
GSRH3D28ALD - 820M	LR	82.00	100	0.540	0.172	0.58
GSRH3D28ALD - 101M	LS	100.00	100	0.610	0.160	0.52
GSRH3D28ALD - 121M	LT	120.00	100	0.755	0.136	0.50
GSRH3D28ALD - 151M	LU	150.00	100	0.880	0.124	0.48
GSRH3D28ALD - 181M	LV	180.00	100	1.130	0.119	0.42
GSRH3D28ALD - 221M	LW	220.00	100	1.270	0.116	0.36

※Test Freq. : 100KHz / 0.1V.

※Operating Temp. : -40°C ~ $+85^{\circ}\text{C}$

※Inductance drop = 35% typ. at Isat.

※ $\Delta T=40^{\circ}\text{C}$ rise at Irms.